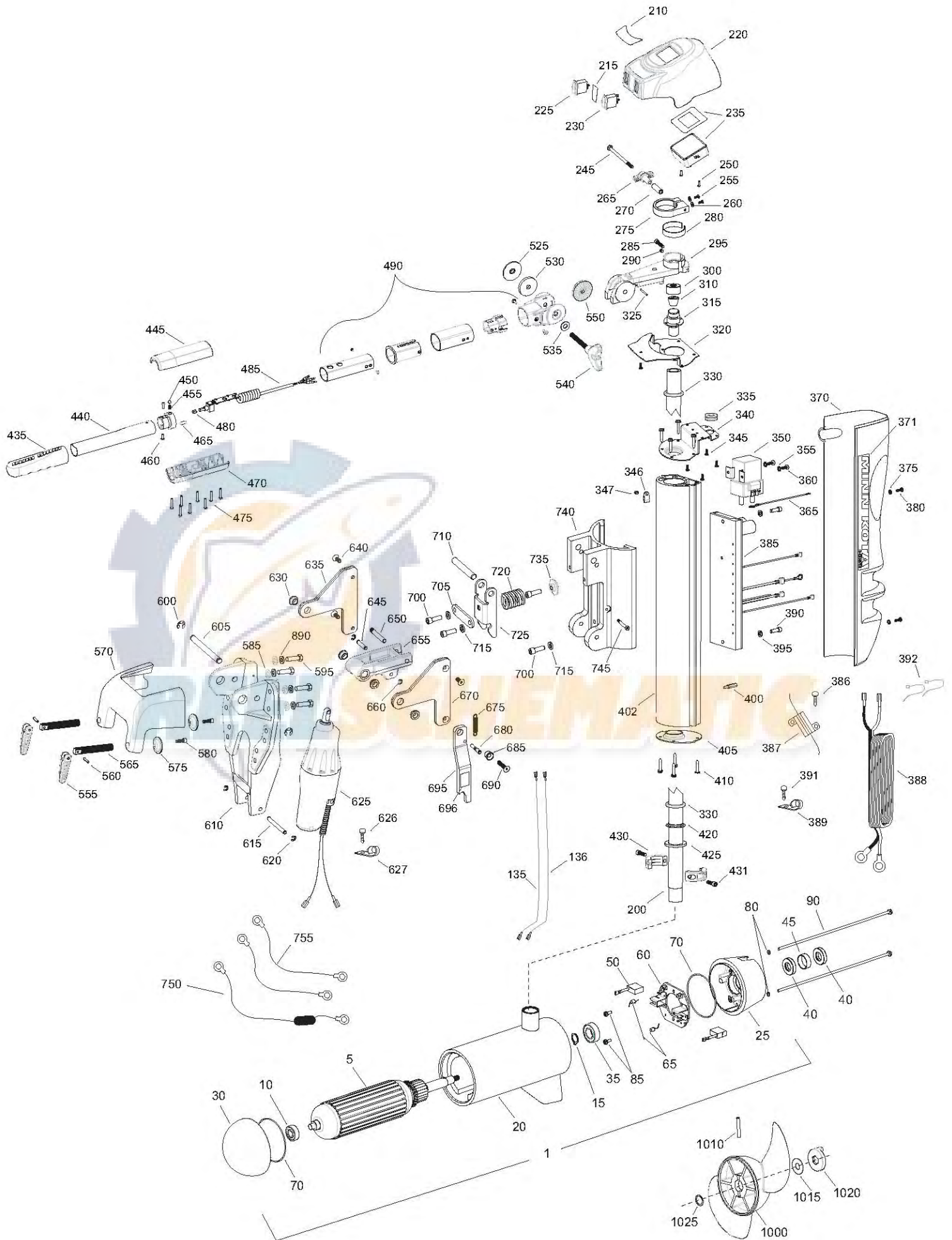


E-Drive Tiller Steer

for use with 2008 models with serial numbers less than MKAI4018040

2-year warranty from the date of purchase



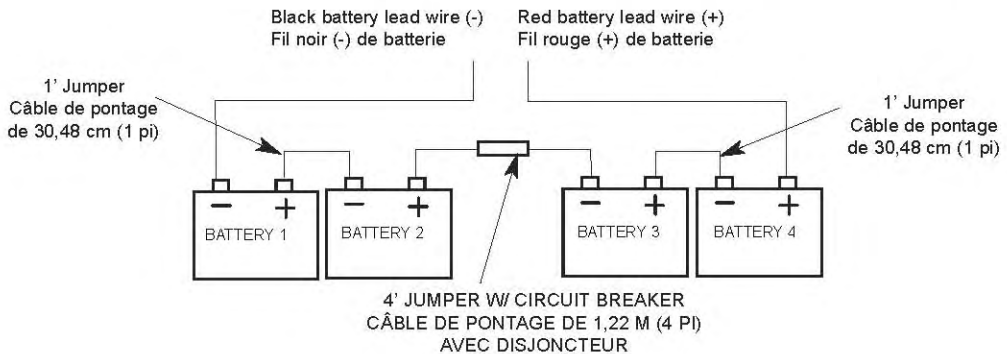
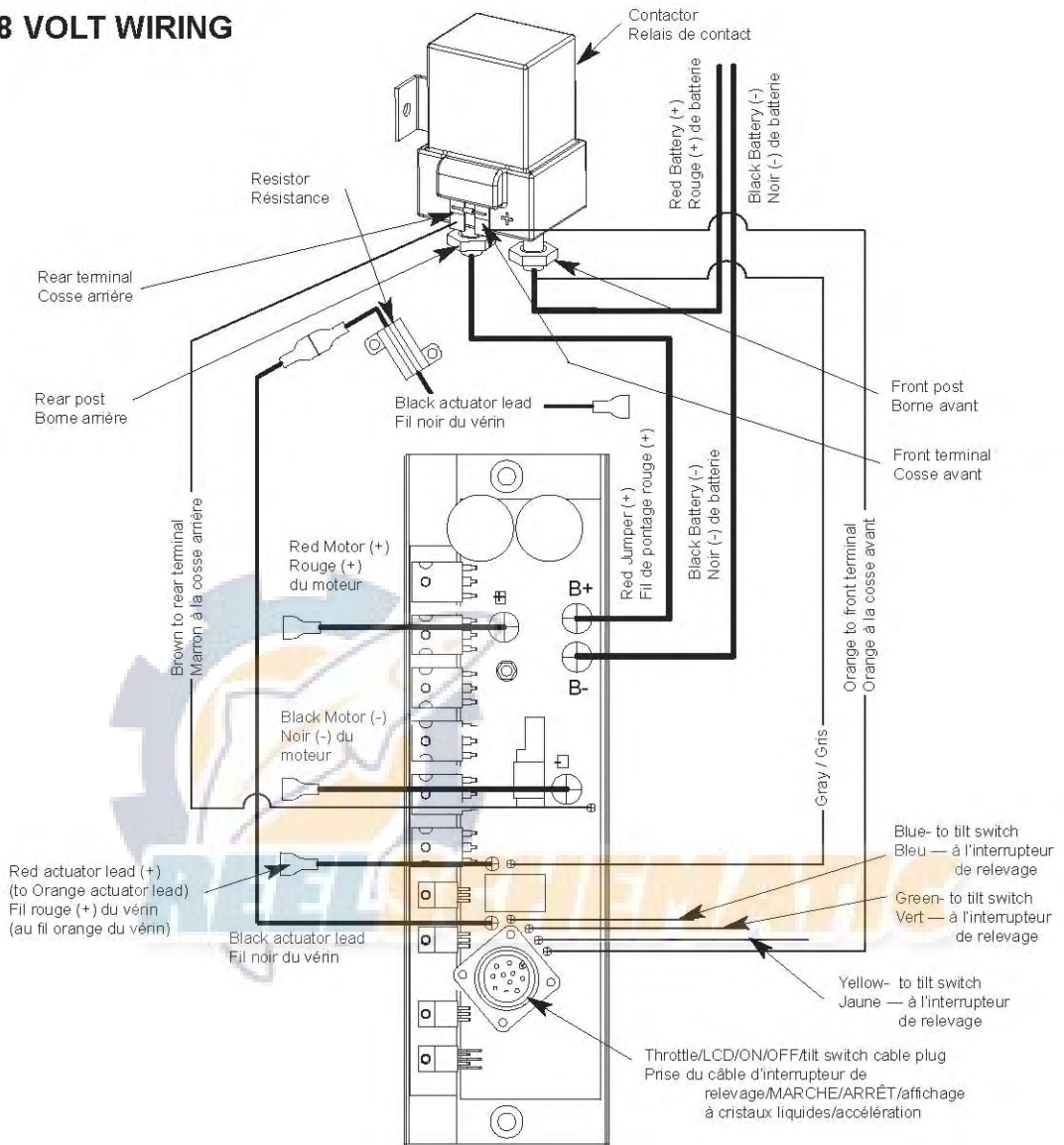
Item	P/N	Description	Qty	Item	P/N	Description	Qty	Item	P/N	Description	Qty
1	2357000	Motor Assembly	1	365	2040600	Wire, connecting 10 ga red	1	627	2040720	Clamp, cable 1/4	2
5	2-100-210	Armature assembly	1	370	2050220	Shield, extrusion, vantage	2	630	2047302	Bearing, flange	4
10	140-011	Bearing, plain end	1	371	2045611	Decal, shield, E-drive	1	635	2770801	Link, upper, right side	1
15	788-075	Retaining ring	1	375	2371715	Lockwasher, #8	2	640	2043420	Screw, 5/16-18 x 3/4	3
20	2-200-210	Center housing assembly	1	380	2332101	Screw, 8-32 x 1/2	2	645	2042610	Pin, upper, actuator	1
25	2-300-210	Brush end housing assembly	1	385	2044006	Control Board, E-drive	1	650	2042618	Pin, latch, breakaway	1
30	421-310	Plain end housing assembly	1	386	2043418	Screw, 4-40 x 3/8	2	■	2774305	Arm assy [655, 630(2)]	1
35	140-013	Bearing, brush end	1	387	2994071	Resistor, E-drive	1	655	2044301	Arm- actuator, machined	1
40	880-027	Seal	2	388	2040605	Leadwire, prime power	1	660	2263006	E-ring, 5/16	4
45	725-097	Paper tube	1	389	2052512	Cable clamp, 1/2	1	670	2770802	Link, upper, left side	1
50	188-096	Brush	2	390	9954533	Screw, 1/4-20 x 3/4 SHCS	2	675	2042722	Spring, extension	1
60	2-600-210	Brush plate assembly	1	391	2053415	Screw, 8-32 x 3/8	1	680	2042624	Pin, stabilizer	2042624
65	975-041	Brush spring	2	392	9950433	Tie wrap	4	685	2047320	Bushing, tilt arm	1
70	701-044	O-ring, motor	2	395	9950357	Lockwasher, 1/4	2	690	2043428	Screw, 5/16-18 x 1 1/2	1
80	701-009	O-ring, thru-bolt	2	400	2042911	Stand-off	1	695	2774309	Arm, stabilizer [695-696]	1
85	2053410	Screw, 8-32	2	402	2046510	Extrusion, main, E-drive	1	696	2045630	Warning Decal	1
90	830-096	Thru-bolt	2	405	2040200	Cap-bottom, E-drive	1	700	9954533	Screw, 1/4-20 x 3/4 SHCS	4
135	640-030	Leadwire, black	1	410	2053413	Screw 10-16 x 1 type AB	8	705	2041940	Plate, latch, breakaway	1
136	640-130	Leadwire, red	1	420	2266115	Bearing cone	1	710	2042616	Pin, upper, breakaway	1
200	2042011	Tube, Motor	1	425	2041700	Washer 1 3/16 x 1 3/4	1	715	9950357	Lockwasher 1/4	4
210	2065606	Decal, cover, E-tiller	1	430	2261622	Collar half, alum	2	720	2042715	Spring, breakaway	1
215	2065606	Decal, front, E-tiller	1	431	2263453	Screw, 1/4-20 x 1 SHCS	2	725	2047200	Latch, breakaway	1
220	2040217	Cover, E-tiller	1	■	2990945	Outer handle assembly [435,440]	1	735	2041500	Shim washer, breakaway	1
225	2044022	Switch, Power, E-tiller	1	435	2070422	Grip	1	740	2041810	Extrusion, breakaway	1
230	2044020	Switch, Tilt, E-tiller	1					745	2043504	Bolt, shoulder 1/4-20 x 1 1/4	1
235	2997400	Display/harness assembly	1	445	2040910	Handle, top	1	750	299-8200	Circuit breaker assy	1
245	2043502	Bolt, 1/4-20 x 4" Hex HD	1	■	2886000	Clamp bracket [450-465]	1	755	234-0610	Connector cable	2
250	2302100	Screw, 6-20 x 1/2	2	450	2046000	Ball, detent	1				
255	2332100	Screw, 8-32 x 3/8	2	455	2042720	Spring, detent	1				
260	2051717	Washer, #8	2	460	2301310	Screw, 8-18 x 1/2	2	■	1378140	Propeller kit	1
265	2043430	Knob, clamp-collar	1	465	2043205	Stop, post	1	1010	2352602	Drive pin	1
270	2047317	Bushing, steering tension	1	470	2040915	Handle, bottom	1	1015	2091701	Washer, prop	1
275	2040210	Brake, steering	1	475	2043426	Screw, 8 x 7/8	8	1020	2198401	Nut, nylock, prop, Anode	1
280	2043800	Band, friction brake	1	480	2042705	Spring - knob, E-drive	1	1025	2374611	O-ring, prop	1
■	2774306	Tiller arm assy [285-295,325]	1	485	2044040	Ctrl board, handle assy	1				
285	2263453	Bolt 1/4-20 x 1	1	490	2990922	Handle assy, outer	1				
290	2043430	Screw, set - half dog pt	1	525	2053115	Washer, handle assy	1				
295	2044306	Arm, tiller, machined	1	530	2051736	Washer, spacer	1				
300	9950339	Cap, motor fitting	1	535	2051737	Washer, .4 x .875	1				
310	2382900	Grommet, split	1	540	2050921	Handle, tension, long	1				
315	2046201	Bearing race, main E-drive	1	550	2050015	Ratchet-disk, handle assy	1				
320	2041945	Plate, cover	1	■	2881986	Clamp bracket kit [555-595]	1				
325	2042620	Pin, spring	1	■	2880925	Clamp screw kit [555-580 except 570]	1				
330	2266000	Beaing, steel ball	1	600	2043000	E-ring, .500	2				
335	2042905	Grommet	1	605	2042614	Pin, pivot, upper	1				
340	2040207	Cap-top	1	610	2041981	Bracket, machined	1				
345	2372100	Screw, 8-18 x 5/8	5	615	2042612	Pin, lower, actuator	1				
350	2040700	Contacto	1	620	2263006	E-ring 5/16	4				
355	2261718	Washer, lock - #10	2	625	2992802	Actuator assy w/ terminals	1				
360	2223454	Screw, 10-32 x 1/2	2	626	2053415	Screw, 8-32 x 3/8	2				

Seal & Oring Kit p/n 2884460

* This item is part of an assembly. This item cannot be sold separately due to machining and /or assembly that is required.

P/N 2047101

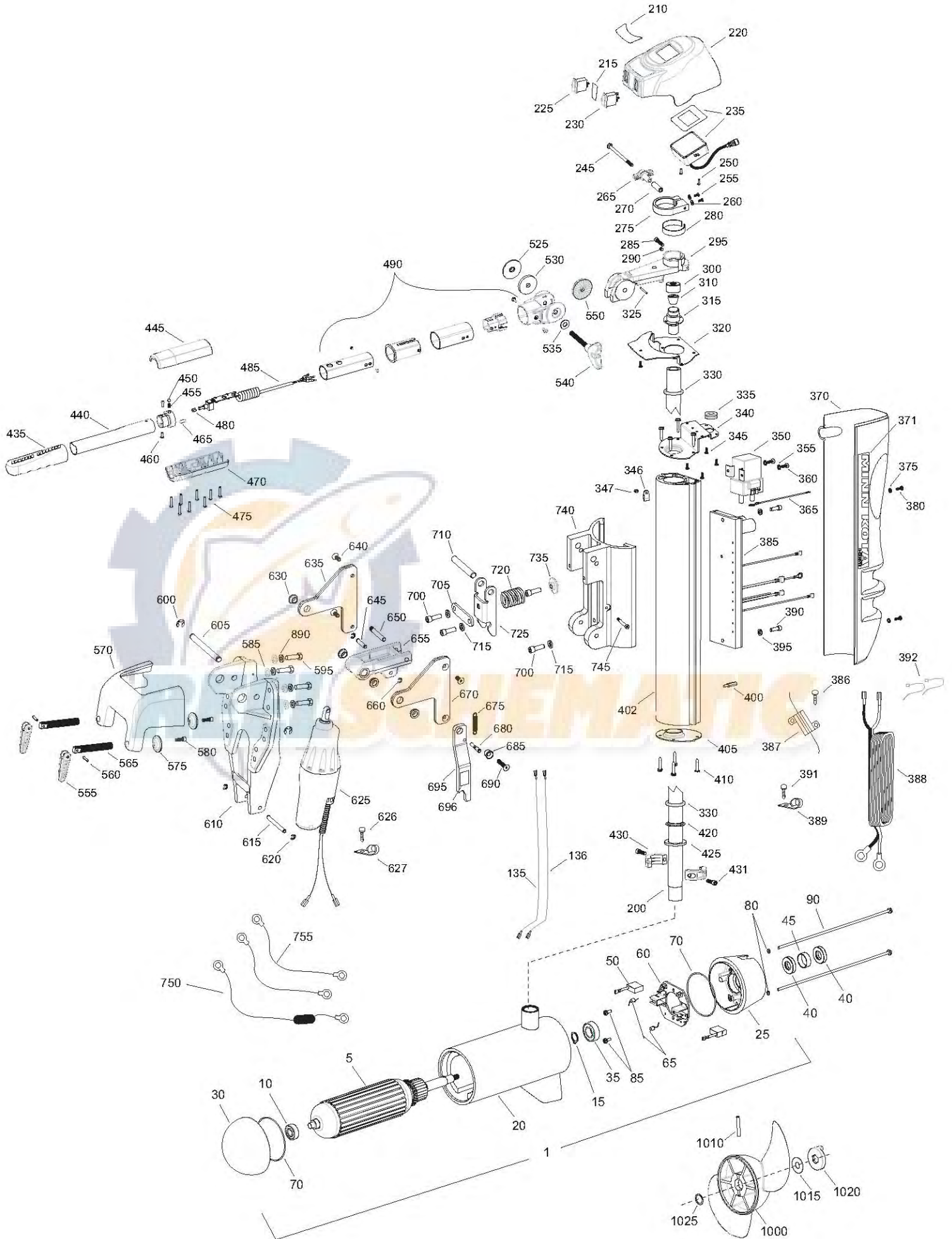
48 VOLT WIRING



E-Drive Tiller Steer

for use with 2008 models with **serial numbers greater than MKAI4018039**

2-year warranty from the date of purchase



Item	P/N	Description	Qty	Item	P/N	Description	Qty	Item	P/N	Description	Qty
1	2357000	Motor Assembly	1	365	2040600	Wire, connecting 10 ga red	1	627	2040721	Clamp, cable 3/8	2
5	2-100-210	Armature assembly	1	370	2050220	Shield, extrusion, vantage	2	630	2047302	Bearing, flange	4
10	140-011	Bearing, plain end	1	371	2045611	Decal, shield, E-drive	1	635	2770801	Link, upper, right side	1
15	788-075	Retaining ring	1	375	2371715	Lockwasher, #8	2	640	2043420	Screw, 5/16-18 x 3/4	3
20	2-200-220	Center housing assembly	1	380	2332101	Screw, 8-32 x 1/2	2	645	2042610	Pin, upper, actuator	1
25	2-300-210	Brush end housing assembly	1	385	2044007	Control Board, E-drive	1	650	2042618	Pin, latch, breakaway	1
30	421-310	Plain end housing assembly	1	386	2043418	Screw, 4-40 x 3/8	2	■	2774305	Arm assy [655, 630(2)]	1
35	140-013	Bearing, brush end	1	387	2994071	Resistor, E-drive	1	655	2044301	Arm- actuator, machined	1
40	880-027	Seal	2	388	2040605	Leadwire, prime power	1	660	2263006	E-ring, 5/16	4
45	725-097	Paper tube	1	389	2052512	Cable clamp, 1/2	1	670	2770802	Link, upper, left side	1
50	188-096	Brush	2	390	9954533	Screw, 1/4-20 x 3/4 SHCS	2	675	2042722	Spring, extension	1
60	2-600-210	Brush plate assembly	1	391	2053415	Screw, 8-32 x 3/8	1	680	2042624	Pin, stabilizer	2042624
65	975-041	Brush spring	2	392	9950433	Tie wrap	4	685	2047320	Bushing, tilt arm	1
70	701-044	O-ring, motor	2	395	9950357	Lockwasher, 1/4	2	690	2043428	Screw, 5/16-18 x 1 1/2	1
80	701-009	O-ring, thru-bolt	2	400	2042911	Stand-off	1	695	2774309	Arm, stabilizer [695-696]	1
85	2053410	Screw, 8-32	2	402	2046510	Extrusion, main, E-drive	1	696	2045630	Warning Decal	1
90	830-096	Thru-bolt	2	405	2040200	Cap-bottom, E-drive	1	700	9954533	Screw, 1/4-20 x 3/4 SHCS	4
135	640-030	Leadwire, black	1	410	2053413	Screw 10-16 x 1 type AB	8	705	2041940	Plate, latch, breakaway	1
136	640-130	Leadwire, red	1	420	2266515	Bearing cone	1	710	2042616	Pin, upper, breakaway	1
200	2040211	Tube, Motor	1	425	2041700	Washer 1 3/16 x 1 3/4	1	715	9950357	Lockwasher 1/4	4
210	2065606	Decal, cover, E-tiller	1	430	2261622	Collar half, alum	2	720	2042715	Spring, breakaway	1
215	2065606	Decal, front, E-tiller	1	431	2263453	Screw, 1/4-20 x 1 SHCS	2	725	2047200	Latch, breakaway	1
220	2040217	Cover, E-tiller	1	■	2990945	Outer handle assembly [435,440]	2	735	2041500	Shim washer, breakaway	1
225	2044022	Switch, Power, E-tiller	1	435	2070422	Grip	1	740	2041810	Extrusion, breakaway	1
230	2044020	Switch, Tilt, E-tiller	1	440	2042030	Tube, handle grip	1	745	2043504	Bolt, shoulder 1/4-20 x 1 1/4	1
235	2777401	Display/harness assembly	1	445	2040910	Handle, top	1	750	299-8200	Circuit breaker assy	1
245	2043502	Bolt, 1/4-20 x 4" Hex HD	1	■	2886000	Clamp bracket [450-465]	1	755	234-0610	Connector cable	2
250	2302100	Screw, 6-20 x 1/2	2	450	2046000	Ball, detent	1				
255	2332100	Screw, 8-32 x 3/8	2	455	2042720	Spring, detent	1				
260	2051717	Washer, #8	2	460	2301310	Screw, 8-18 x 1/2	2	■	1378140	Propeller kit	1
265	2043430	Knob, clamp-collar	1	465	2043205	Stop, post	1	1010	2352602	Drive pin	1
270	2047317	Bushing, steering tension	1	470	2040915	Handle, bottom	1	1015	2091701	Washer, prop	1
275	2040210	Brake, steering	1	475	2043426	Screw, 8 x 7/8	8	1020	2198401	Nut, nylock, prop, Anode	1
280	2043800	Band, friction brake	1	480	2042705	Spring - knob, E-drive	1	1025	2374611	O-ring, prop	1
■	2774306	Tiller arm assy [285-295,325]	1	485	2044040	Ctrl board, handle assy	1				
285	2263453	Bolt 1/4-20 x 1	1	490	2990922	Handle assy, outer	1				
290	2043430	Screw, set - half dog pt	1	525	2053115	Washer, handle assy	1				
295	2044306	Arm, tiller, machined	1	530	2051736	Washer, spacer	1				
300	9950339	Cap, motor fitting	1	535	2051737	Washer, .4 x .875	1				
310	2382900	Grommet, split	1	540	2050921	Handle, tension, long	1				
315	2046201	Bearing race, main E-drive	1	550	2050015	Ratchet-disk, handle assy	1				
320	2041945	Plate, cover	1	■	2881986	Clamp bracket kit [555-595]	1				
325	2042620	Pin, spring	1	■	2880925	Clamp screw kit [555-580 except 570]	1				
330	2264000	Beaing, steel ball	1	600	2043000	E-ring, .500	2				
335	2042905	Grommet	1	605	2042614	Pin, pivot, upper	1				
340	2040207	Cap-top	1	610	2041981	Bracket, machined	1				
345	2372100	Screw, 8-18 x 5/8	5	615	2042612	Pin, lower, actuator	1				
350	2040700	Contactora	1	620	2263006	E-ring 5/16	4				
355	2261718	Washer, lock - #10	2	625	2992802	Actuator assy w/ terminals	1				
360	2223454	Screw, 10-32 x 1/2	2	626	2053415	Screw, 8-32 x 3/8	2				

2884460 seal & oring kit

* This item is part of an assembly. This item cannot be sold separately due to machining and /or assembly that is required.

* Cet article fait part d'un assemblage. Cet article ne peut pas être vendu séparément dû à la rectification et/ou l'assemblage qu'il requière.

48 VOLT WIRING

